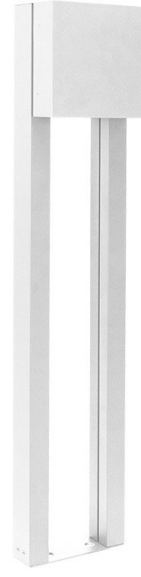


MIMIK 20 LINE BOLLARD

PERFORMANCE
IN LIGHTING

powered by
GEWISS



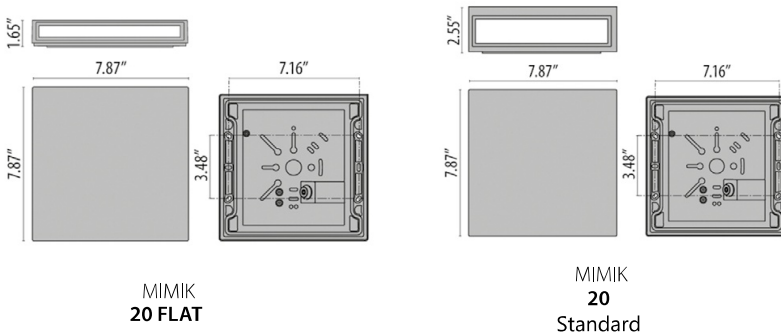
- Ceiling-, wall- and post- mount series. Fixtures consist of:
- Multi-step powder-coat painting process, optimized against UV rays and corrosion.
 - Copper-free precision die-cast aluminum housing and mounting plate.
 - Extra-clear, flat, tempered silk-screened soda-lime glass diffuser.
 - Micro-prismatic patterned, flat, tempered silk-screened soda-lime glass diffuser (FLAT versions).
 - Custom molded, anti-aging gasket(s).
 - Stainless steel external hardware.
 - Custom MCPCB utilized to maximize heat dissipation and promote a long LED life.
 - High-transmittance transparent optics.
 - Single (M) or dual (B) light emission.
 - IESNA Type II light distribution (FLAT).
 - IESNA Type II light distribution.
 - IESNA Type III light distribution.
 - IESNA Type IV light distribution.

- Input voltage: 120-277 V (50 / 60 Hz), integral 0-10 V dimming driver.
- Optional, integral, emergency battery-pack designed for a minimum operation of 90 minutes (EMPK versions).
- Customizing facade faceplate available for MIMIK FLAT versions (ordered separately).
- Post accessory available for MIMIK 20 (ordered separately).
- Consult factory for dimming options, custom finishes (please specify RAL color), and non-cataloged CCT (Kelvin) options.
- Optional clear plexiglass panel can be customized with logos for signage or wayfinding (LINE BOLLARD). Consult factory for more information.
- Product meets Buy American Act requirements within ARRA.
- 5-year warranty.
- Marine Grade finish.
- Suitable for Natatorium applications.



FINISHES

- AN-96 / Iron gray / Textured
- GR-94 / Aluminum metallic / Textured
- WH-87 / White / Textured
- BK-81 / Black / Textured
- RB-10 / Iron rust / Textured



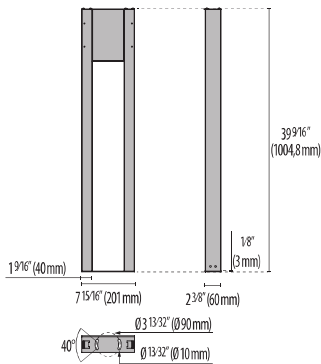
| LUMEN OUTPUT | | 2700K | 3000K | 3500K | 4000K | 5000K |
|--------------------|-----|-------|-------|-------|-------|-------|
| MIMIK 20 M T2 | 15W | 1373 | 1385 | 1396 | 1408 | 1420 |
| MIMIK 20 M T2 | 26W | 2238 | 2256 | 2274 | 2292 | 2310 |
| MIMIK 20 M T2 EMPK | 15W | 1373 | 1385 | 1396 | 1408 | 1420 |
| MIMIK 20 M T3 | 15W | 1385 | 1396 | 1407 | 1418 | 1429 |
| MIMIK 20 M T3 | 26W | 2255 | 2273 | 2291 | 2309 | 2327 |
| MIMIK 20 M T3 EMPK | 15W | 1385 | 1396 | 1407 | 1418 | 1429 |
| MIMIK 20 M T4 | 15W | 1308 | 1319 | 1329 | 1340 | 1351 |
| MIMIK 20 M T4 | 26W | 2132 | 2149 | 2166 | 2183 | 2200 |
| MIMIK 20 M T4 EMPK | 15W | 1308 | 1319 | 1329 | 1340 | 1351 |
| MIMIK 20 FLAT M | 14W | 919 | 960 | 1001 | 1042 | 1083 |
| MIMIK 20 FLAT B | 25W | 1847 | 1930 | 2012 | 2095 | 2178 |

| WATTAGE | |
|-----------------|-----|
| MIMIK 20 M T2 | 15W |
| MIMIK 20 M T2 | 26W |
| MIMIK 20 M T3 | 15W |
| MIMIK 20 M T3 | 26W |
| MIMIK 20 M T4 | 15W |
| MIMIK 20 M T4 | 26W |
| MIMIK 20 FLAT M | 14W |
| MIMIK 20 FLAT B | 25W |



Scan here
for installation
instructions

Revision 01
03/24



Order Guide - Mimik 20 Line Bollard

Order code example

M20LB-M-15W-T4-AM-27K-120V-NA-FC

M20LB

| | | | | | | | | | |
|--|--|--|--|--|--|--|--|--|--|
| | | | | | | | | | |
|--|--|--|--|--|--|--|--|--|--|

| Housing Style | Bollard Height | Wattage | Optics | Finish | CRI | Kelvin/ Static Colors | Voltage | Controls | Accessories |
|--|--|---|---|-------------------------|-----------------------------------|---|-----------------|-------------------------------|--|
| M20 Standard M20F Flat <small>*Flat Housing is only suitable for T2 Distribution</small> | 40 40" Bollard (Max) | 15 15 watt (with em max) | Standard Housing only Leave Blank for Flat Housing | AM Aluminum Metallic | 70 70 CRI (Standard) | 27K 2700k | UNV 120-277V | NA Non Dimming | EMPK Integral 15W Emergency Battery Back up (not available with flat housing) |
| | 12 12" Bollard (Min) | 26 26 watt max | T2 Type II | IG Iron Gray | 80 80 CRI (Flat Standard) | 3K 3000k | | 0-10V 0-10V Dimming | |
| | XX" Specify Line Bollard Height 40" Max 12" Min | 14 14 watt (Flat only) | T3 Type III | IR Iron Rust | 90* 90 CRI | 35K 3500k | | ELV ELV Dimming | CWEMPK Remote Cold Weather Emergency Battery Back up -20°C through 55°C |
| | | 25 25 watt (Flat only) max | T4 Type IV | BK Textured Black | *Contact Factory For Availability | 4K 4000k | | | FC Facade cover |
| | | XX Specify Wattage Must be below max | | WH Textured White | | 5K* 5000K Consult factory for MOQ | | FRST Frosted glass | |
| | | | | CC Custom Color | | RED Satic Red (Flat Only) | | PHC-B Photocell Button | |
| | | | | | | GRN Static Green (Flat Only) | | OCC Occupancy Sensor | |
| | | | | | | BLU Static Blue (Flat Only) | | REM Remote battery back up | |
| | | | | | | AMB Static Amber (Flat Only) | | | |

Performance in Lighting - 2621 Keys Pointe - Conyers, Georgia 30013 - USA - voice 770.822.2115 - info.usa@pil.lighting
www.performanceinlighting.com

NOTE:

MIMIK 20 IS AVAILABLE WITH ONE WAY EMISSIONS/ MONO-DIRECTIONAL
THE MIMIK 20 FLAT IS REQUIRED FOR TWO WAY EMISSIONS/BI-DIRECTIONAL

Revision 01
03/24